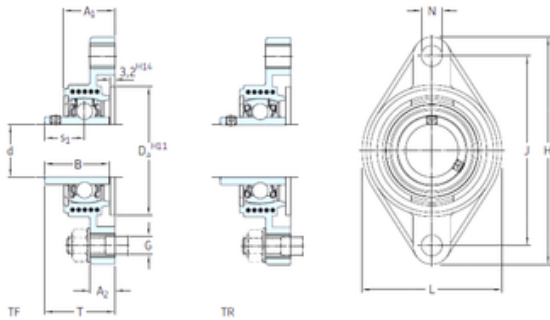


## skf FYTBK 30 TF Ball bearing oval flanged units



Bearing No. FYTBK 30 TF

Bore Diameter	30 mm
d	30 mm
Da	76,2 mm
s1	22,2 mm
A1	33 mm
B	38,1 mm
G	10 mm
H	142,5 mm
J	116,5 mm
L	83 mm
N	12 mm
T	42,2 mm
A2	15 mm
Weight	0,44 Kg
Basic dynamic load rating (C)	19,5 kN
Basic static load rating (C0)	11,2 kN
Fatigue load limit (Pu)	0,475
Category	Flange Block Bearings
Inventory	0.0
Manufacturer Name	SKF
Minimum Buy Quantity	N/A
Weight / Kilogram	0.44
EAN	7316570818376
Product Group	M06110
Number of Mounting Holes	2
Mounting Method	Set Screw

FYTBK 30 TF Bearing 2D drawings and 3D CAD models



# NTN BEARING MANUFACTURING DE MEXICO,S...

Housing Style	2 Bolt Flange Block
Rolling Element	Ball Bearing
Housing Material	Composite
Expansion / Non-expansion	Non-expansion
Mounting Bolts	10 Millimeter
Relubricatable	Yes
Insert Part Number	YAR 206-2F
Seals	M Seal
Housing Configuration	1 Piece Solid
Pilot Configuration	No Pilot
Inch - Metric	Metric
Long Description	2 Bolt Flange Block; 30MM Bore; 117MM Bolt Circle; 116.5MM Bolt Spacing; 1 Piece Solid; Set Screw Mount; Composite; Ball Bearing; 38.1MM Length Thru Bore; Relubricatable; M Seal Seals
Other Features	Single Row   Y Tech Housing   Stainless Steel Insert
Category	Flange Block
UNSPSC	31171501
Harmonized Tariff Code	8483.20.40.40
Noun	Bearing
Keyword String	Flanged
Manufacturer URL	<a href="http://www.skf.com">http://www.skf.com</a>
Manufacturer Item Number	FYTBK 30 TF
Weight / LBS	0.97
Bolt Spacing	4.587 Inch   116.5 Millimeter
Nominal Bolt Circle Diameter Round	4.6 Inch   117 Millimeter
Cartridge Pilot Diameter	0 Inch   0 Millimeter



# NTN BEARING MANUFACTURING DE MEXICO,S...

Bore	1.181 Inch   30 Millimeter
Cartridge Pilot Depth	0 Inch   0 Millimeter
Length Thru Bore	1.5 Inch   38.1 Millimeter
bore diameter:	30 mm
radial dynamic load capacity:	19.5 kN
bolt center-to-center length:	116.50 mm
radial static load capacity:	11.2 kN
overall length/diameter:	142.5 mm
length through bore:	38.1 mm
overall height:	42.2 mm
finish/coating:	Blue Alkyd/Acryl Paint (RAL 5007)
bore type:	Round
bolt size:	12.3 mm
mounting type:	Two-Bolt Flange
maximum rpm:	6300 rpm
housing material:	Cast Iron
lubrication type:	Lubrication Fitting
locking device:	Set Screw
series:	FYTBK
expansion type:	Non-Expansion Bearing (Fixed)
manufacturer product page:	<a href="#">Click here</a>
bearing material:	Steel
manufacturer upc number:	7316570818376
Housing material	Composite
D <sub>a</sub>	76.2 mm
D <sub>b</sub>	78 mm
A	33 mm
A <sub>1</sub>	15 mm
A <sub>3</sub>	3.2 mm
A <sub>5</sub>	20 mm



## NTN BEARING MANUFACTURING DE MEXICO,S...

B <sub>4</sub>	5 mm
s <sub>1</sub>	22.2 mm
Basic dynamic load rating C	19.5 kN
Basic static load rating C <sub>0</sub>	11.2 kN
Fatigue load limit P <sub>u</sub>	0.475 kN
Limiting speed	6300 r/min
Mass bearing unit	0.42 kg
Thread grub screw G <sub>2</sub>	M6x0.75
Hexagonal key size for grub screw N	3 mm
Recommended tightening torque for grub screw	4 N · m
Recommended diameter for attachment bolts, mm G	10 mm
Recommended diameter for attachment bolts, inch G	0.375 in