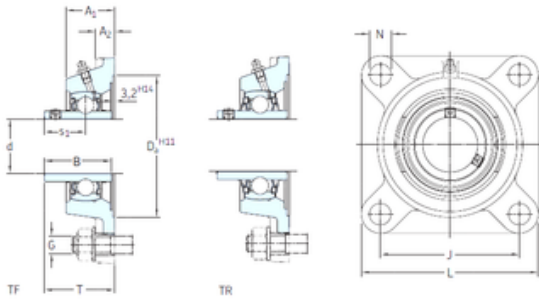


skf FYJ 100 TF Ball bearing square flanged units



Bearing No. FYJ 100 TF

FYJ 100 TF Bearing 2D drawings and 3D CAD models

Bore Diameter	100 mm
d	100 mm
Da	215,9 mm
s1	63,4 mm
A1	70 mm
B	98,4 mm
G	24 mm
J	210 mm
L	265 mm
N	27 mm
T	107,5 mm
A2	25 mm
Weight	15,2 Kg
Basic dynamic load rating (C)	124 kN
Basic static load rating (C0)	93 kN
Fatigue load limit (Pu)	3,35
Category	Flange Block Bearings
Inventory	0.0
Manufacturer Name	SKF
Minimum Buy Quantity	N/A
Weight / Kilogram	13.812
EAN	7316570307634
Product Group	M06110
Number of Mounting Holes	4
Mounting Method	Set Screw
Housing Style	4 Bolt Square Flange Block



NTN BEARING MANUFACTURING DE MEXICO,S...

Rolling Element	Ball Bearing
Housing Material	Cast Iron
Expansion / Non-expansion	Non-expansion
Mounting Bolts	24 Millimeter
Relubricatable	Yes
Insert Part Number	YAR 220-2F
Seals	M Seal
Housing Configuration	1 Piece Solid
Pilot Configuration	No Pilot
Inch - Metric	Metric
Long Description	4 Bolt Square Flange Block; 100MM Bore; 297MM Bolt Circle; 210MM Bolt Spacing; 1 Piece Solid; Set Screw Mount; Cast Iron; Ball Bearing; 98.4MM Length Thru Bore; Relubricatable; M Seal Seals
Other Features	Single Row Wide Inner Race Open End Has Flinger Y Bearing
Category	Flange Block
UNSPSC	31171501
Harmonized Tariff Code	8483.20.40.40
Noun	Bearing
Keyword String	Flanged
Manufacturer URL	http://www.skf.com
Manufacturer Item Number	FYJ 100 TF
Weight / LBS	33.5
Bolt Spacing	8.268 Inch 210 Millimeter
Bore	3.937 Inch 100 Millimeter
Nominal Bolt Circle Diameter Round	11.7 Inch 297 Millimeter
Cartridge Pilot Diameter	0 Inch 0 Millimeter
Length Thru Bore	3.874 Inch 98.4 Millimeter



NTN BEARING MANUFACTURING DE MEXICO,S...

Cartridge Pilot Depth	0 Inch 0 Millimeter
bore diameter:	100 mm
radial dynamic load capacity:	124 kN
bolt center-to-center length:	210 mm
radial static load capacity:	93 kN
overall length/diameter:	265 mm
length through bore:	98.4 mm
overall height:	107.4 mm
finish/coating:	Blue Alkyd/Acryl Paint (RAL 5007)
bore type:	Round
bolt size:	27 mm
mounting type:	Four-Bolt Flange
maximum rpm:	1900 rpm
housing material:	Cast Iron
lubrication type:	Lubrication Fitting
locking device:	Set Screw
series:	FYJ
expansion type:	Non-Expansion Bearing (Fixed)
manufacturer product page:	Click here
bearing material:	Steel
manufacturer upc number:	7316570307634
Housing material	Cast iron
D_a	215.9 mm
D_{b1}	207 mm
D_{b2}	221 mm
A	70 mm
A_1	25 mm
A_3	3.2 mm
s_1	63.4 mm
R_G	1/4-28 UNF



NTN BEARING MANUFACTURING DE MEXICO,S...

R_1	43 mm
D_N	6.5 mm
SW_N	7 mm
G_N	1/4-28 SAE-LT
J_6	233 mm
J_7	55 mm
N_4	4 mm
Basic dynamic load rating C	124 kN
Basic static load rating C_0	93 kN
Fatigue load limit P_u	3.35 kN
Limiting speed	1900 r/min
Mass bearing unit	13.7 kg
Thread grub screw G_2	M12x1.5
Hexagonal key size for grub screw N	6 mm
Recommended tightening torque for grub screw	28.5 N · m
Recommended diameter for attachment bolts, mm G	24 mm
Recommended diameter for attachment bolts, inch G	0.9375 in